



IPL, FUHRER & BACHMANN fb350E, 2006-05, 543 850 357

fb350E

Pièces de rechange

Spare parts

Ersatzteile

Piezas de repuesto

Ricambi

Onderdelen

Reservdelar

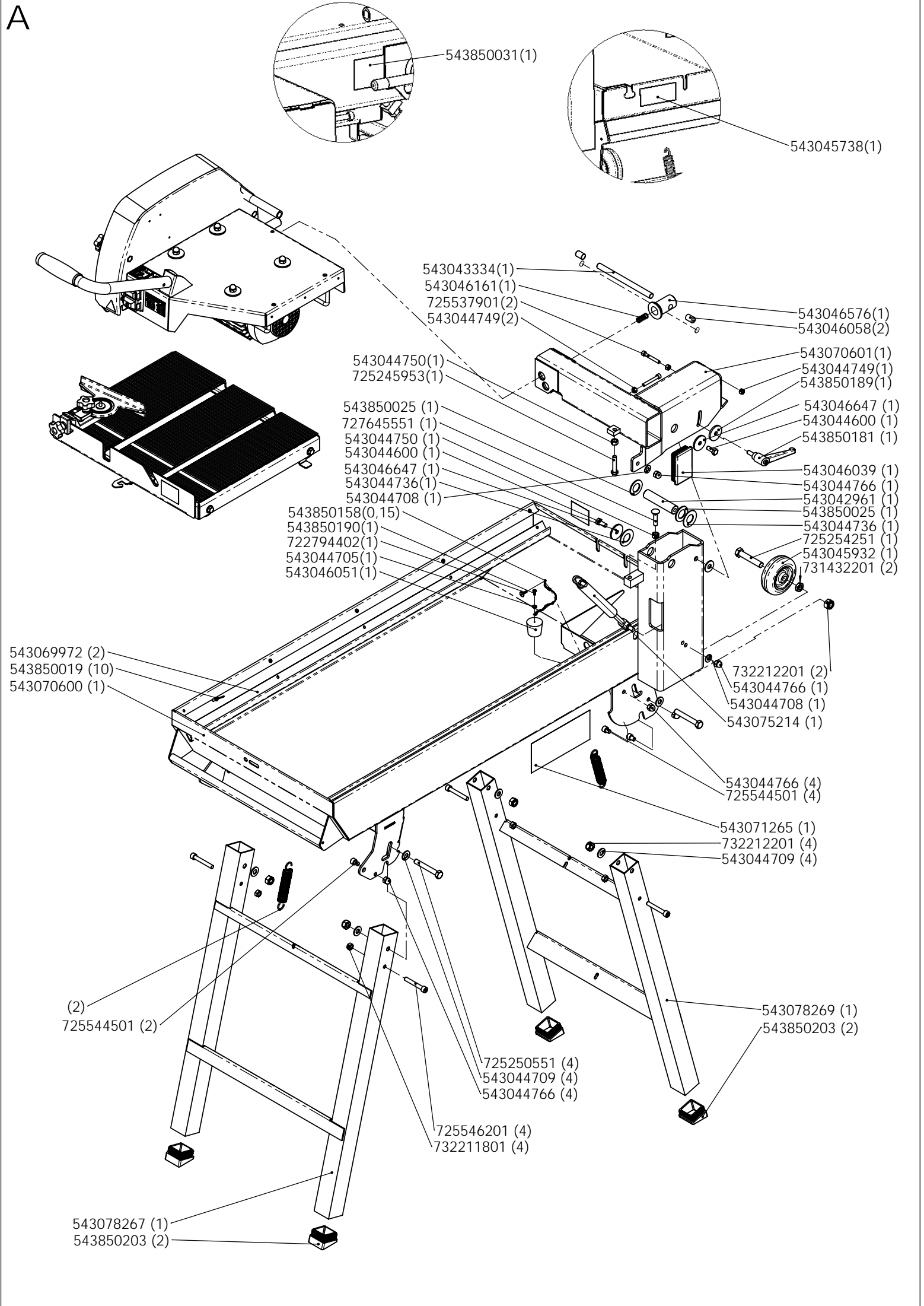
Peças sobresselente



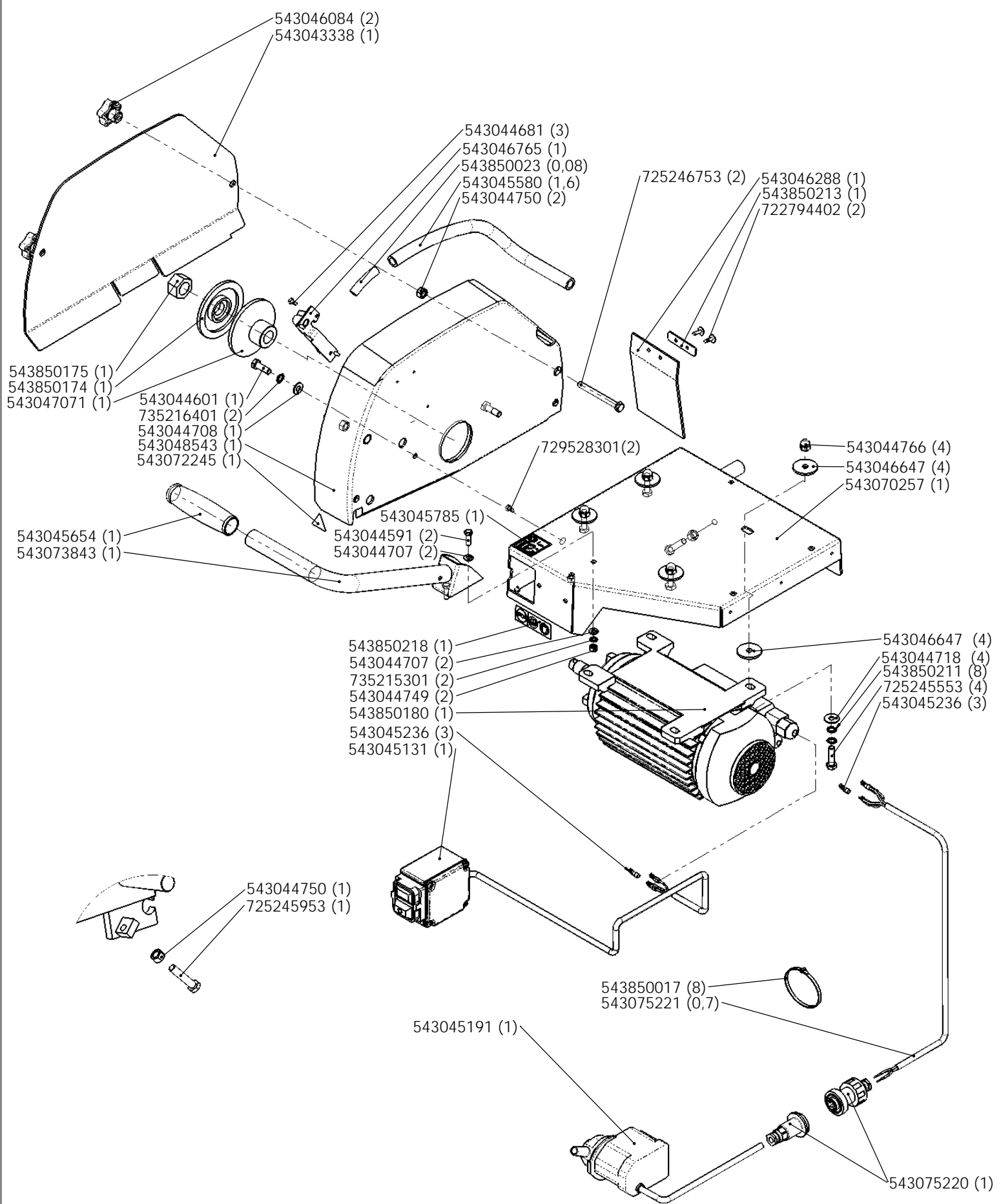
No.	Pos.	Description	No.	Pos.	Description
543046146	C	ANGULAR GUIDE, ALUMNIUM	543046084	B	Nut, plastic wrenchhead M8
534045146	D	Plug, 2P+T 32A 110V 4H	543046161	A	Spring, capistan (Φ12-Φ10)X25
543083599		BLADE D350	543046205	A	SPRING, legs - tank
543042961	A	Axle, motor arm	543046280	C	Rubber carpet, front (3mm)
543043320	C	TABLE TS350E	543046281	C	Rubber carpet, rear (3mm)
543043321	C	MATERIAL STOP	543046288	B	MUD FLAP, REAR (small)
543043322	C	Table STOP	543046300	C	ROLLER OF TABLE
543043323	C	TABLE BLOCK	543046576	A	CAPESTAN HUB
543043334	A	CAPESTAN, axle	543046647	B	WASHER, (Φ35.8-Φ8.5)X3
543043338	B	BLADE COVER	543046765	B	Fork, (WATERING DEVICE)
543044585	D	Screw, Hex M5X12	543046783	B	Handle, rubber TS350/400
543044591		Screw, Hex M6X20	543046911	D	MOTOR 2,2 kW 110V
543044600		Screw, Hex M8X20	543048543	B	BLADE GUARD TS350E (aluminium)
543044601		Screw, Hex M8X25	543069972	B	Rail for watertank TS350 (spare part)
543044603		Screw, hex M8x35	543069974	D	Tightening plate
543044681		Screw, ST 3,5x9,5	543070257	B	MOTOR SUPPORT TS350E
543044705	A	WASHER, 4	543070600	A	WATER TANK TS350E-02 (incl.rails)
543044707		WASHER, 6	543070601	A	Arm support, TS350E-02
543044708		WASHER, 8	543071264	C	Sticker, 45° position
543044709		WASHER, 10	543071265	A	Sticker, Legs folding
543044718	A	WASHER, (Φ22-Φ8.5)X2	543071577	D	Switch 115V 25A
543044736	A	Washer, wave (40/20.4 x 1.5)	543072245	B	Sticker, "Risk of cut"
543044749		NUT, M6, HH (thicker)	543073843	B	SHAFT SUPPORT
543044750		NUT, M8, HH (thicker)	543075214	A	GAS SPRING
543044766		Nut, M8x125, Ballhead	543075220	B	Electric connector for pump
543045083	D	NYLON tie 5x350	543075221	B-D	Cable 4G1
543045083	D	NYLON tie 5x350	543076108	D	Switch 115V Support
543045085	D	Nylon tie, 4x200	543078267	A	LEG, front
543045130	D	SWITCH KEDU 400V	543078269	A	Leg, rear
543045131	B	SWITCH KEDU 230V	543850355		Cardboard box 1197x667x697
543045136	D	Male plug 3P+N+T 16A 6H	543850002		Wooden pallet + corner protection+ cover
543045145	D	Female plug 3P+N+T 16A 6H	543850004	C	Ruler, left, 157 mm, TS350E-02
543045195	D	Water pump P1200N 110V 50HZ	543850005	C	Ruler, middle, 130 mm, TS350E-02
543045196	B	Water pump, NAP 1600	543850006	C	Ruler, right, 116 mm, TS350E-02
543045236	B-D	Electric pod D4	543850007		BAG 1500x700x1100
543045242	D	Isolated clips 6,35x0,8	543850008		Bubble plastic bag 545x500
543045244	D	Connector blue isolated Male .6.3	543850009		layers 500x545
543045251	D	Blue isoled poded F.6.3	543850017	B-D	Nylon tie 5x250
543045254	D	Electric poded 1,5mm	543850019	A	Rivet, SELF-PLUGGING 4.8X9
543045261	D	Cable H07 RNF 5x1,5	543850023	B	Hose 12/8
543045274	D	Wire H05 VK 0.75 brown lg 30 mm	543850025	A	Washer 20 (36,5 x 21 x 2)
543045580	B	Hose 12x18	543850027		SELF SEALING PLASTIC BAG, A4
543045654	B	Handle, Anti vibration,	543850031	A	STICKER, dia300/350-position
543045738	A	Sticker, Using of pump	543850034		SILICA GEL BAG
543045785	B	Sticker, Noise 102dB	543850045	D	SWITCH 400V
543045900	C	Wrench 30 DIN 894	543850071		Wood frame 467x254x126 th 20
543045932	A	ROLLER OF TANK 80/25	543850072		layers 480x126
543046039	A	CAP, RECT 80X50X22	543850082		layers 200x126
543046051	A	Plug, rubber 34D 28/34/30	543850158	A	Chain
543046058	A	CAPS 12/18 (BLACK), capestan	543850180	B	MOTOR 2,2 kW 230V

No.	Pos.	Description	No.	Pos.	Description
543850181	A	Handle, aluminum M8x30			
543850356	B	Operator Manual TS350E-02			
543850183	D	Moteur 3 kW TRI ABLE			
543850188		Washer, spring, 4			
543850189	A	Washer, 8.5/36 x 3.5; nylon			
543850190	A	Screw, ST 4,2x19 large head			
543850357	C	Part list manual TS350E			
543850203	A	Feet Pad on TS350E/TS400			
543850211	B	Washer, EXTERNAL lock washer , 8			
543850213	B	Mudflap reinforcement			
543850218	B	Sticker "combined stop, ear, manual"			
543850288	D	Connector end tube 0,75			
722794402	B	Rivet, aluminium 4x10 - large head			
725245553	B-C	Screw, Hex M8X30			
725245953	A	Screw, hex M8x40			
725246753	B	Screw, hex M8X80 FT (full threaded)			
725250551	A	Screw, hex M10x70			
725254251	A	Screw, Hex M12X65			
725537901	A	Screw, Inhex M6X45			
725544501	A	Screw, Inhex M8X10			
725546201	A	Screw, inhex, M8x55			
727645551	A	Screw, SPHERE HEAD M8X30			
729578001		Screw, ST 4.2x19 smal head			
731432201	A	Nut, M12, thin			
732211801		Nut, nyloc M8			
732212001		Nut, nyloc M10			
732212201	A	Nut, nyloc M12			
735215301	B	Washer, spring 6			
735216401		Washer, spring 8			

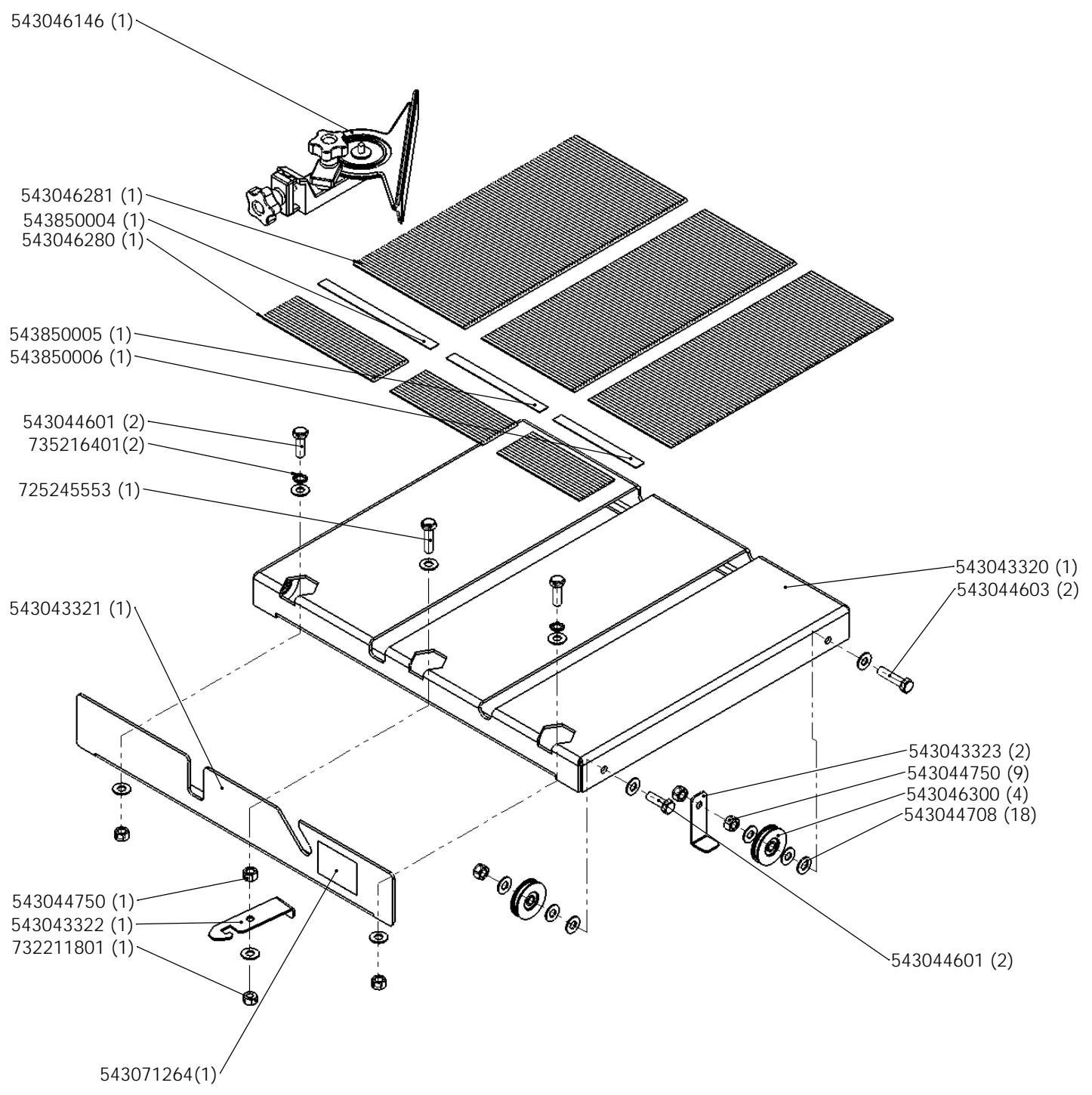
A



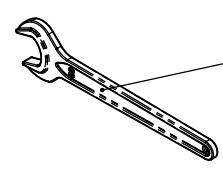
B-230V



C

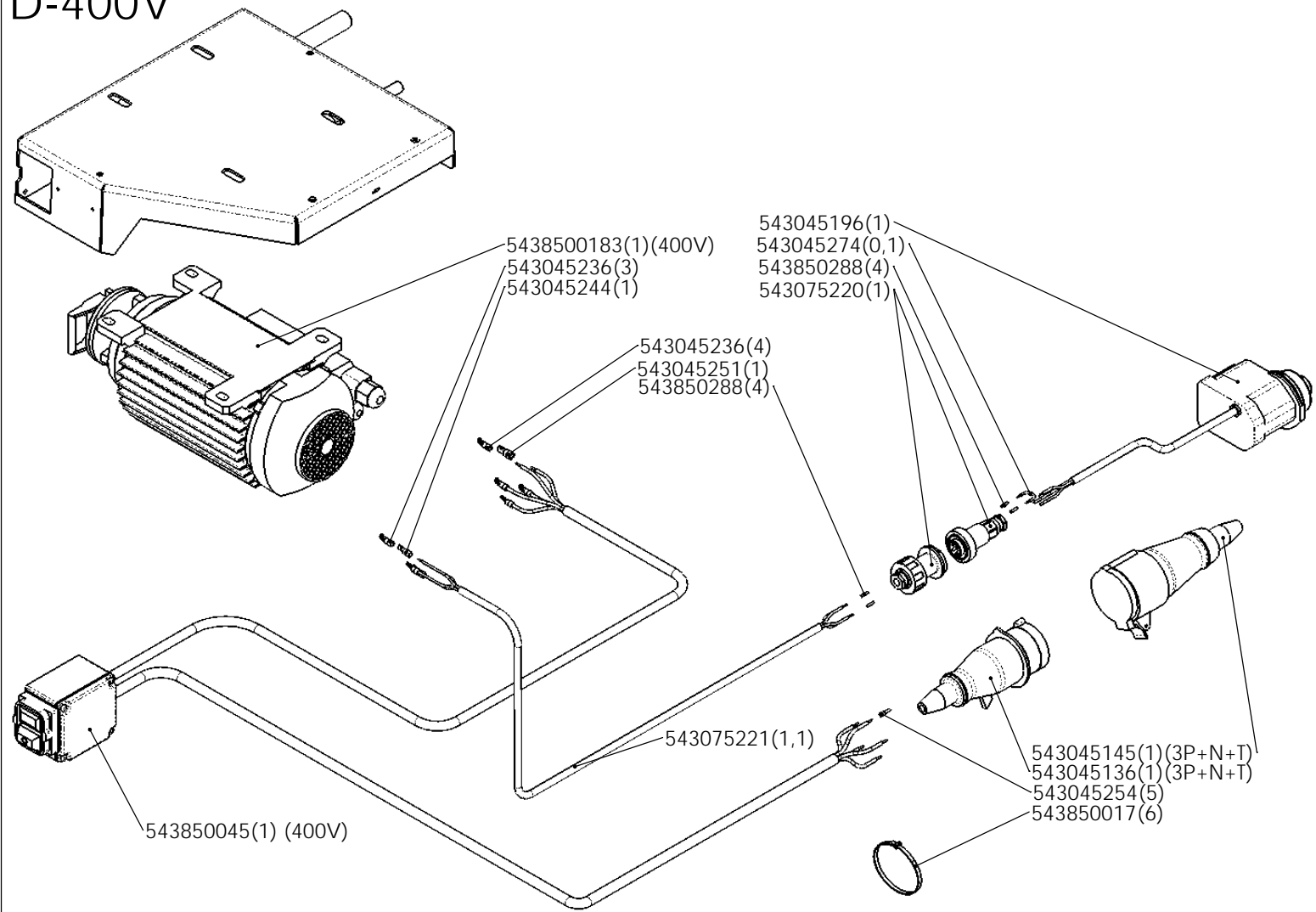


543850182 (1)
543850197 (1)



543045900 (1)

D-400V



110V

